



HEARTH PRODUCTS

HEARTH PRODUCTS  
KITS AND ACCESSORIES

P/N 506033-16  
Rev. A, 05/2009

WOODSTOVE PEDESTAL KITS

## INSTALLATION INSTRUCTIONS FOR INSTALLING PEDESTAL KITS FOR USE WITH COUNTRY COLLECTION™ FREESTANDING WOODSTOVES



### KIT CONTENTS

Please ensure that all these parts are included

- 1 ea. Pedestal Assembly
- 2 ea. 3/8" -16 x 3/8" Hex Bolts
- 2 ea. 3/8" Flat Washers
- 1 ea. Instruction Sheet

Pedestal Kits (all models)		
Cat. No.	Model	Where Used
71108	WS-PED	S160, SA160
71113	WL-PED	SS210, ST210, S260, ST310

### TOOLS NEEDED

9/16" Open End Wrench or Ratchet with 9/16" Socket

### GENERAL INFORMATION

If you encounter any problems, need clarification of these instructions or are not qualified to properly install this kit, contact you local distributor or dealer.

Read this instruction sheet in its entirety before beginning the installation.

**ALL WARNINGS, PRECAUTIONS AND INSTRUCTIONS IN THE INSTALLATION AND OPERATION MANUAL PROVIDED WITH THE APPLIANCE APPLY TO THESE INSTRUCTIONS.**

Check the contents of the kits upon receipt and check for any damaged or missing parts. If there is hidden damage, notify your freight company or Lennox Hearth Products dealer immediately.

**CAUTION: Wear gloves during installation in case of sharp edges on the stove.**

### Manufactured (Mobile) Homes

In manufactured homes, this appliance must be bolted to the floor and properly grounded to the chassis. An outside air kit (order Cat. No. 71112) is also required. See the *Installation and Operation Manual* for details and additional requirements for manufactured home installations. Also see See steps 5, 6 and 7 on **Page 2**.

### INSTALLATION INSTRUCTIONS

- Step 1.** Remove the stove and pedestal from the cartons, if packaged, upon receipt and check for any damaged or missing parts.
- Step 2.** Carefully put the stove on pedestal with the open end of the pedestal facing the rear (see *Figure 1*). **DO NOT LEAVE THE STOVE UNATTENDED UNTIL IT IS BOLTED SECURELY TO THE PEDESTAL. IT COULD FALL CAUSING SERIOUS INJURY OR DAMAGE.**
- Step 3.** Line up the holes in the brackets on the pedestal with the threaded holes in the bottom of the stove. Using a 9/16" wrench or socket, secure the stove to the pedestal with the two 3/8" long bolts and 3/8" standard washers. Be sure to see that the stove is mounted squarely on the pedestal before tightening the two bolts securely.
- Step 4.** When installing a pedestal on this stove you **MUST** plug the four leg mounting bolt holes, located on the bottom of the stove in the four corners, with the bolts that were used to mount the shipping legs. **FAILURE TO INSTALL THESE FOUR BOLTS PROPERLY WILL RESULT IN REDUCED CONTROL OF THE STOVE'S COMBUSTION SYSTEM!** Caution: The two rear bolts should not be installed more than two full rotations to prevent lifting the bricks off the bottom of the stove.

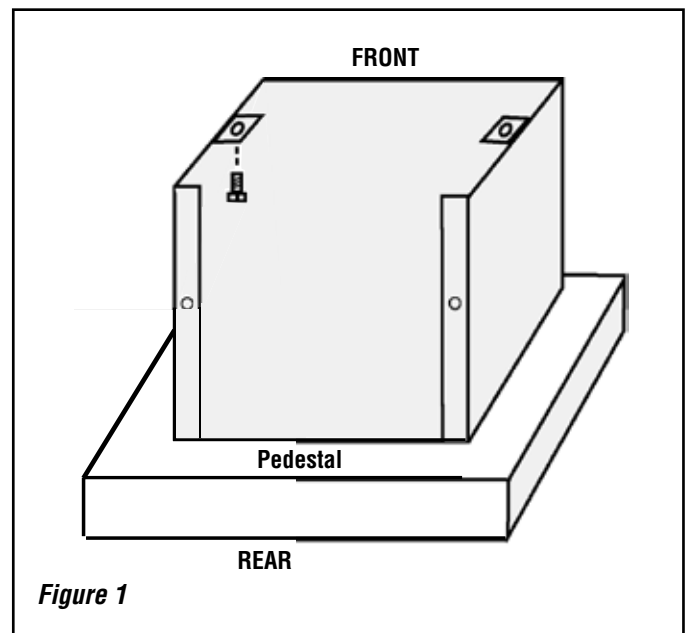


Figure 1

## MANUFACTURED HOME REQUIREMENTS

**Step 5.** Install the Outside Air Kit per the instructions provided in kit (order cat. no. 71112).

**Step 6.** In Manufactured (mobile) Home installations the stove must be bolted to the floor through the pedestal base, on both sides, using 1/4" Ø lag screws (not provided). The lag screws must be of an adequate length to extend through the hearth pad and into the floor. Seal any irregularities with silicone sealer.

**Step 7.** If installed in a manufactured (mobile) home, the heater must be grounded to the chassis with a #8 AGW copper wire or equivalent.

**SEE THE INSTALLATION AND OPERATION MANUAL FOR ADDITIONAL REQUIREMENTS FOR MANUFACTURED (MOBILE) HOME INSTALLATIONS.**

NOTE: DIAGRAMS AND ILLUSTRATIONS ARE NOT TO SCALE.

---

Lennox Hearth Products reserves the right to make changes at any time, without notice, in design, materials, specifications, prices and also to discontinue colors, styles and products. Consult your local distributor for fireplace code information.

**LENNOX**<sup>TM</sup>  
**HEARTH PRODUCTS**